

Ball valve 107 and 107S

- Female thread 1/4" - 4"
- Full flow valve
- Double stem gaskets



Description

Ball valve.

Construction

Ball valve in nickel-plated brass with full flow (bore). Handle in steel.

Model 107

Connection female thread 1/4" - 4". Gaskets in PTFE and FPM connection 1/4" - 2". Double o-ring gaskets in FPM for models larger than 2".

Model 107S

Connection female thread 1/4" - 3". With high neck for insulation penetration. Gaskets in PTFE and NBR.

Marking

DN, PN and company logotype.

Maintenance

The ball valve must be operated periodically, two to three times a year.

Technical data

| | |
|----------------------------|----------------------------|
| 107 | |
| Body | Nickel-plated brass CW617N |
| Ball seal | PTFE |
| Stem gaskets (1/4" - 2") | PTFE and FPM |
| Stem gaskets (2 1/2" - 3") | FPM/FPM |

| | |
|-------------|----------------------------|
| 107S | |
| Body | Nickel-plated brass CW617N |
| Ball seal | PTFE |
| Stem gasket | PTFE and NBR |

Maximum working pressure: see chart

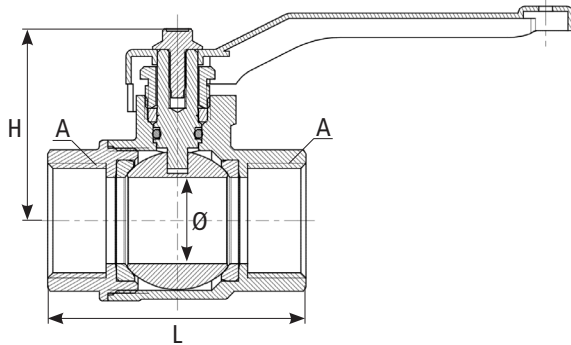
Maximum working temperature: +100

Minimum working temperature: -10°C

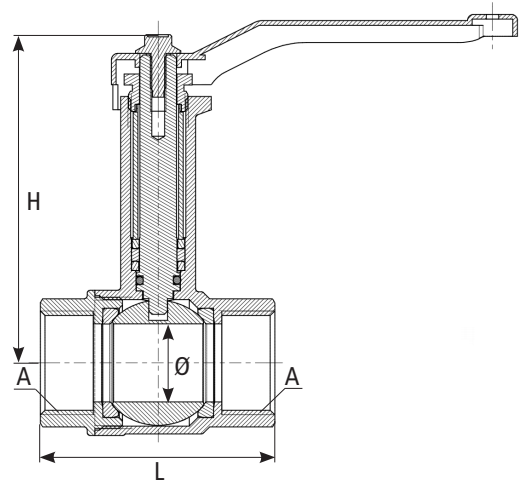
Subject to technical changes and corrections without notice

Ball valve 107 and 107S

107



107S



| Item number | Description | Connection thread A | Length L | Centrum height H | Bore Ø | Max pressure (bar) | Weight (kg per piece) |
|-------------|-------------------------------------|---------------------|----------|------------------|--------|--------------------|-----------------------|
| 0410700800 | Ball valve 107-8, 1/4"F, handle | 1/4"F | 45,5 | 50 | 10 | 40 | 0,20 |
| 0410701000 | Ball valve 107-10, 3/8"F, handle | 3/8"F | 45,5 | 50 | 10 | 40 | 0,18 |
| 0410701500 | Ball valve 107-15, 1/2"F, handle | 1/2"F | 55,5 | 53 | 15 | 40 | 0,24 |
| 0410702000 | Ball valve 107-20, 3/4"F, handle | 3/4"F | 66 | 56 | 20 | 40 | 0,35 |
| 0410702500 | Ball valve 107-25, 1"F, handle | 1"F | 75 | 62 | 25 | 40 | 0,51 |
| 0410703200 | Ball valve 107-32, 1 1/4"F, handle | 1 1/4"F | 85 | 81 | 32 | 40 | 0,95 |
| 0410704000 | Ball valve 107-40, 1 1/2"F, handle | 1 1/2"F | 97 | 86 | 39 | 40 | 1,34 |
| 0410705000 | Ball valve 107-50, 2"F, handle | 2"F | 109 | 92,5 | 48 | 40 | 1,95 |
| 0410706500 | Ball valve 107-65, 2 1/2"F, handle | 2 1/2"F | 141,5 | 124 | 64 | 40 | 3,90 |
| 0410708000 | Ball valve 107-80, 3"F, handle | 3"F | 159 | 135 | 78 | 25 | 5,30 |
| 0410701001 | Ball valve 107-100, 4"F, handle | 4"F | 195 | 163 | 100 | 16 | 7,87 |
| 0410711000 | Ball valve 107S-10, 3/8"F, handle | 3/8"F | 45,5 | 102 | 10 | 40 | 0,28 |
| 0410711500 | Ball valve 107S-15, 1/2"F, handle | 1/2"F | 55,5 | 104 | 15 | 40 | 0,36 |
| 0410712000 | Ball valve 107S-20, 3/4"F, handle | 3/4"F | 66 | 105,5 | 20 | 40 | 0,46 |
| 0410712500 | Ball valve 107S-25, 1"F, handle | 1"F | 75 | 112 | 25 | 40 | 0,68 |
| 0410713200 | Ball valve 107S-32, 1 1/4"F, handle | 1 1/4"F | 85 | 121 | 32 | 40 | 1,14 |
| 0410714000 | Ball valve 107S-40, 1 1/2"F, handle | 1 1/2"F | 97 | 129 | 39 | 40 | 1,53 |
| 0410715000 | Ball valve 107S-50, 2"F, handle | 2"F | 109 | 146 | 48 | 40 | 2,26 |
| 0410716500 | Ball valve 107S-65, 2 1/2"F, handle | 2 1/2"F | 141,5 | 176 | 64 | 40 | 4,13 |
| 0410718000 | Ball valve 107S-80, 3"F, handle | 3"F | 159 | 187 | 78 | 25 | 5,54 |

All dimensions in millimetres

Subject to technical changes and corrections without notice